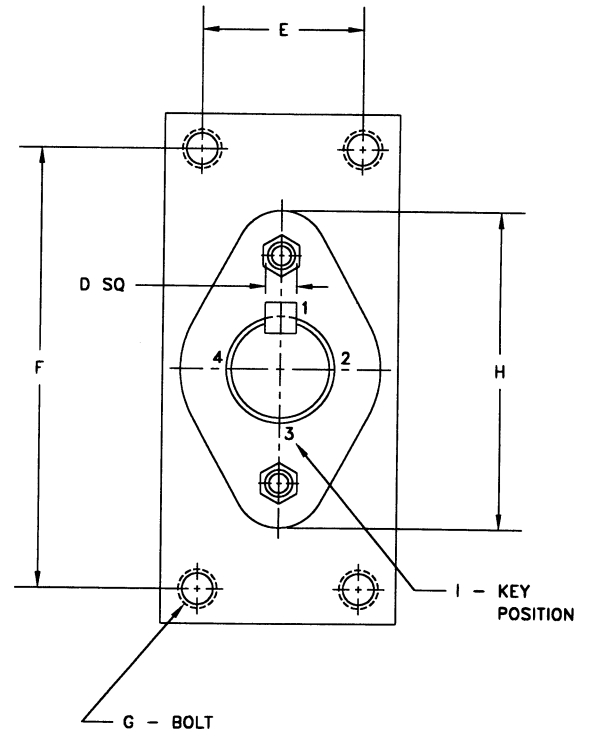
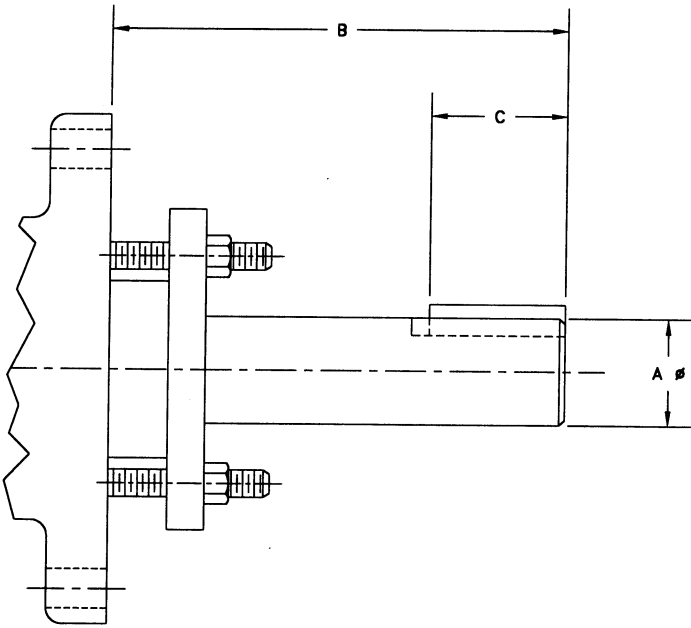


SCORE TRICENTRIC® ACTUATOR MOUNTING DATA: ANSI CLASS 600 / 100 BAR 6" - 24"



		6"	8"	10"	12"	14"	16"	18"	20"	24"
A	Lug/Wafer	1½	1⅞	2⅛	2¾	3	3⅛	3¼	3½	4
B	Lug/Wafer	7 ¹¹ / ₁₆	7 ¹¹ / ₁₆	8¼	8 ³¹ / ₃₂	9 ³ / ₁₆	10½	10½	10½	10½
C	Lug/Wafer	3 ¹¹ / ₁₆	3¾	2¾	2¼	3 ⁷ / ₈	3 ⁷ / ₈	5 ³ / ₁₆	2¼	3 ⁵ / ₁₆
D	Lug/Wafer	¾	½	½	⅝	¾	¾	¾	⅞	1
E	Lug/Wafer	2	2	2¾	3⅛	4 ⁵ / ₈	4¾	5	5	6
F	Lug/Wafer	6¼	6¼	6	7 ⁹ / ₁₆	7½	9½	11	12	14
G	Lug/Wafer	½ ³³ - 13	½ ³³ - 13	¾ ³³ - 10	¾ ³³ - 10	1" - 8	1" - 8	1" - 8	1" - 8	1" - 8
H	Lug/Wafer	4¼	5	5	6½	6¾	6 ⁵ / ₈	7	8¼	8 ⁷ / ₈
I	Lug/Wafer	1	1	1	1&3	1	1	1	1	1

Contact Score Energy Products Inc. for CL600 Double Flange mounting dimensions.