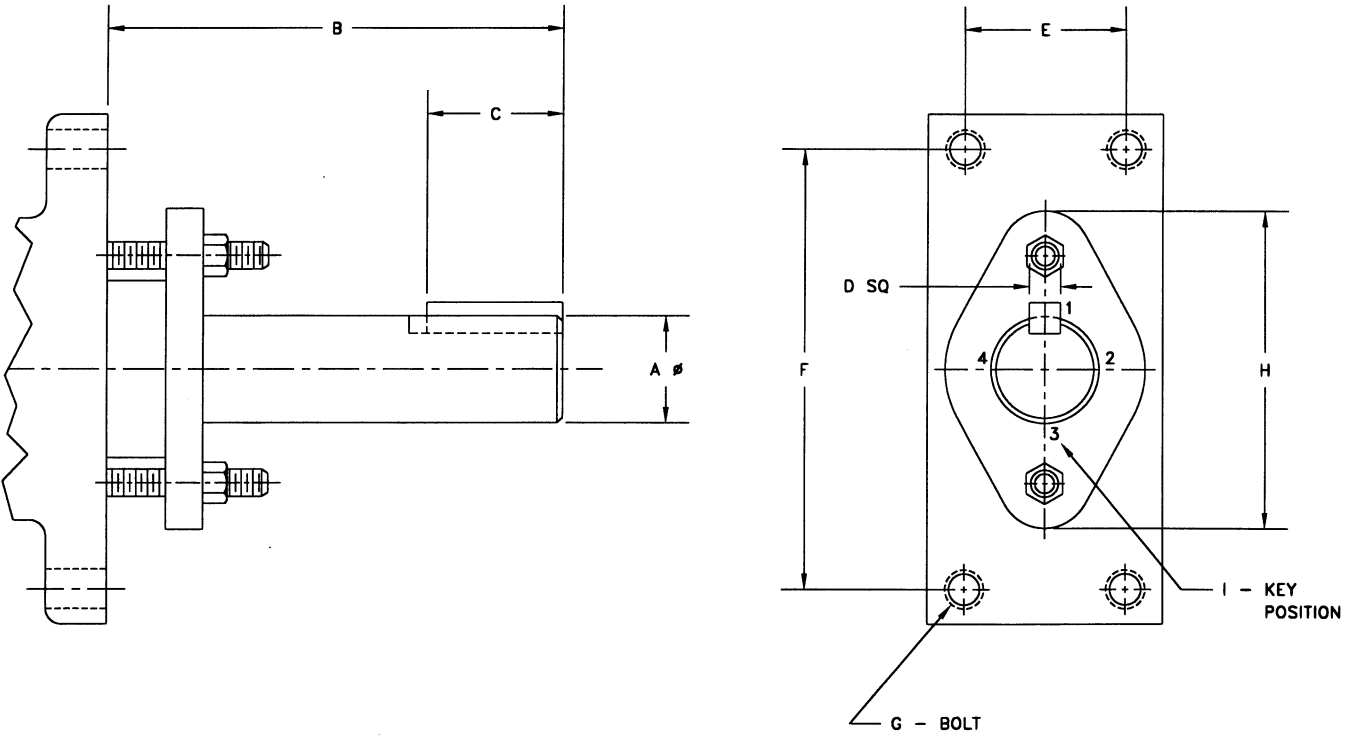


SCORE TRICENTRIC® ACTUATOR MOUNTING DATA: ANSI CLASS 300 / 40 BAR 20" - 42"



		20"	24"	30"	36"	42"
A	Lug/Wafer Double Flange	3	3½	4	5	5
B	Lug/Wafer Double Flange	7	7	12	12	14
C	Lug/Wafer Double Flange	1½	1¾	3⅞	4	5⅛
D	Lug/Wafer Double Flange	¾	⅞	1	1¼	1¼
E	Lug/Wafer	4	4	6	8	8
	Double Flange	5½	6¾	8	8	8
F	Lug/Wafer	9¾	9¾	12	12	12
	Double Flange	9¾	9¾	12	12	12
G	Lug/Wafer	¾" - 10	¾" - 10	1¼" - 8	1⅜" - 8	1⅝" - 8
	Double Flange	⅞" - 9	1" - 8	1¼" - 8	1⅜" - 8	1⅝" - 8
H	Lug/Wafer Double Flange	7⅞	8½	8½	10½	10½
I	Lug/Wafer Double Flange	1	1&3	1&3	1	1&3