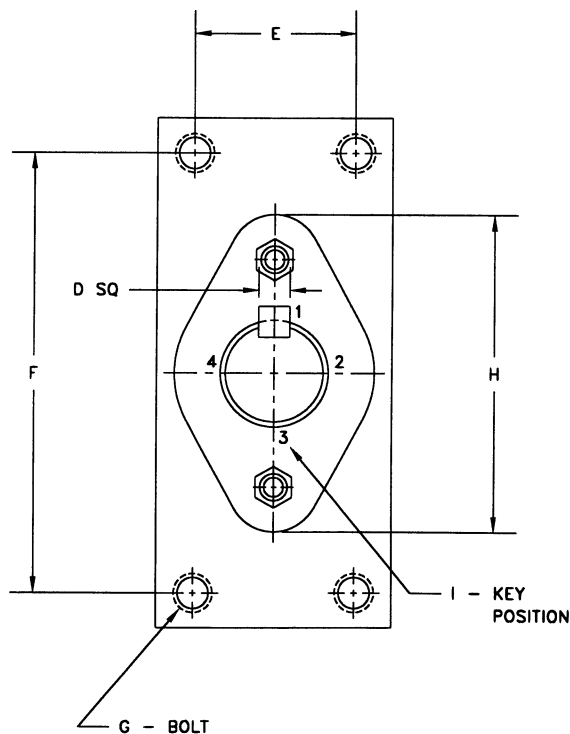
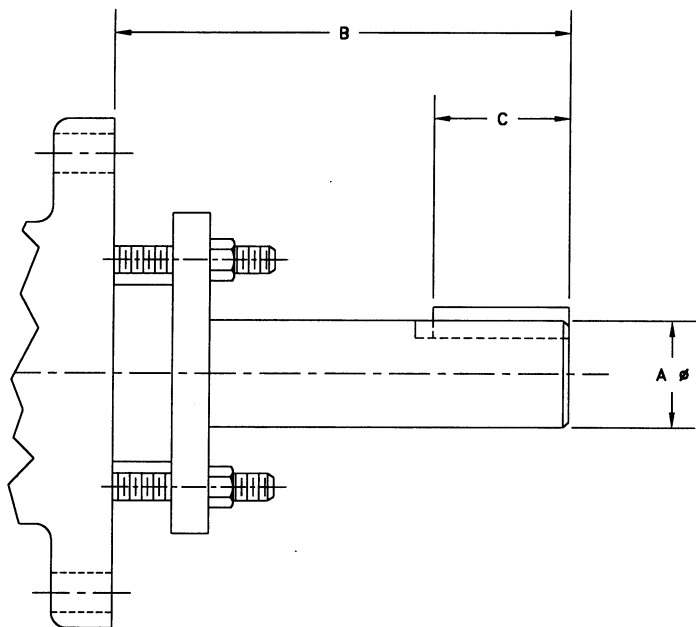


SCORE TRICENTRIC® ACTUATOR MOUNTING DATA: ANSI CLASS 150 / 16 BAR 20" - 60"



		20"	24"	30"	36"	40"	42"	46"	48"	54"	60"
A	Lug/Wafer Double Flange	2½	3	3	3½	3¾	4	4¾	4½	4¼	6
B	Lug/Wafer Double Flange	7¾	7¾	12	12	12	12	12	12	14¼	14⅞
C	Lug/Wafer Double Flange	2⅜	3 ⁵ / ₁₆	4⅜	4 ⁵ / ₈	4½	4 ⁷ / ₈	5	5¾	4½	5 ⁷ / ₁₆
D	Lug/Wafer Double Flange	5/8	¾	¾	7/8	7/8	1	1¼	1	1	1½
E	Lug/Wafer	3⅛	3⅛	3½	4½	4½	4½	4½	4½	6½	7
	Double Flange	4	5	3½	4	4½	4½	4½	4½	6½	7
F	Lug/Wafer	6¾	6¾	11	12¼	14	12¼	12¼	12¼	13¼	15
	Double Flange	6¾	6¾	11	12¼	14	12¼	12¼	12¼	13¼	15
G	Lug/Wafer	5/8" - 11	5/8" - 11	1" - 8	1" - 8	1" - 8	1" - 8	1" - 8	1" - 8	1¼" - 8	1¼" - 8
	Double Flange	¾" - 10	¾" - 10	1" - 8	1" - 8	1" - 8	1" - 8	1" - 8	1" - 8	1¼" - 8	1¼" - 8
H	Lug/Wafer	5 ³ / ₃₂	5 ¹⁵ / ₁₆	6	7	7½	7½	8	8	7¾	10¼
I	Lug/Wafer Double Flange	1	1	1	1	1&4	1	1&3	1	1&3	1&3